



BYRON GREEN LIGHTS

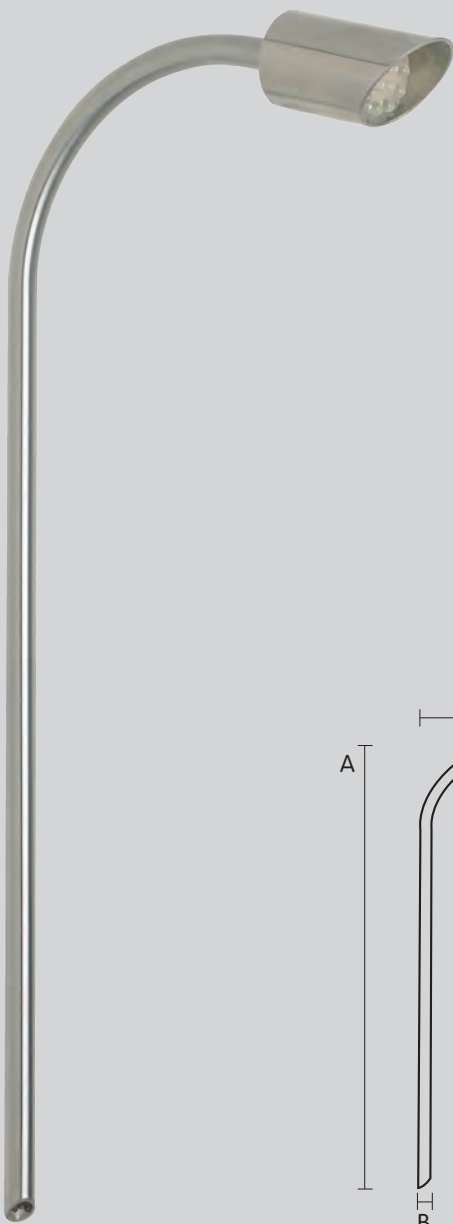
LED GARDEN & ARCHITECTURAL LIGHTING

TECHNICAL SPEC SHEETS 2010

Path Lights & Bollards

Light This Light That LED 'Triffid' Light

316 Marine Grade Stainless Steel
Extremely low voltage



Your **The Light This Light That** 316 'Marine Grade' Stainless Steel Garden light is IP66 rated.

This light system contains non replaceable parts. Do not attempt to force open the light.

model	dimensions			light source	current
	length (A)	width (b)	reach (c)	#5mm led	mA (max)
LTP3	500mm	10mm	180mm	3	20
LTP6	650mm	12mm	200mm	6	40
LTP12	650mm	12mm	200mm	12	80
LTP21	1000mm	19mm	400	21	140
LTP30	1000mm	25mm	600	30	200
Custom					

Note: 1 Amp = 1000 milliamps (mA).

Disclaimer: Consistant with our product developemnt policy, improvements may be made which render the contents of this document different to that shown. While every care has been taken with the details on this specification sheet, Light This Light That Pty Ltd accepts no responsibility for any inaccuracies and reserves the right to change the specifications without incurring obligation. Light This Light That Pty Ltd reserves the right to change specifications without notice.

Specifications:

Materials: Casing: 316 Marine Grade Stainless Steel (or solid copper)
Face: Pexiglas Satinice® 'Pearl finish'

Power Source: Low Voltage 12 V DC input (regulated)

Weatherproof Rating: IP 66

Pre wired: Rear entry 900mm (length) weatherproof cable (20 gauge)

Warranty: 2 years

Cabling: Light This Light That Weatherproof harness (18 gauge) with screw in plugs, or solder connection

LED type: State of art:  :5mm

LED Colours: White. Other custom orders available

Size: 316 marine grade stainless steel or solid copper

Features:

- Australian Owned
- Australian Made
- Extremely Low Voltage
- 12 volt, not dangerous
- Up to 50,000 hours life
- Directional light efficiency
- Ambient light
- Solid state technology
- No fragile glass environment
- Non corrosive materials
- Ideal for coastal environments
- No Maintenance
- No globes to maintain
- No Ultraviolet radiation
- No Infrared radiation
- No UV to attract insects
- Cool to touch
- Cool to stand on
- Doesn't burn plants
- Doesn't breakdown materials
- No Mercury
- Easy installation, easy to move
- Portable
- Choice of sizes
- Can be used as wall or eave light
- Weatherproof IP 66
- 2 year replacement warranty

Australian Owned & Australian Made

 **Light this Light that**
led garden lights
consultants : installers : manufacturers

DISTRIBUTOR:

BYRON  GREEN LIGHTS

Jason Hutchinson

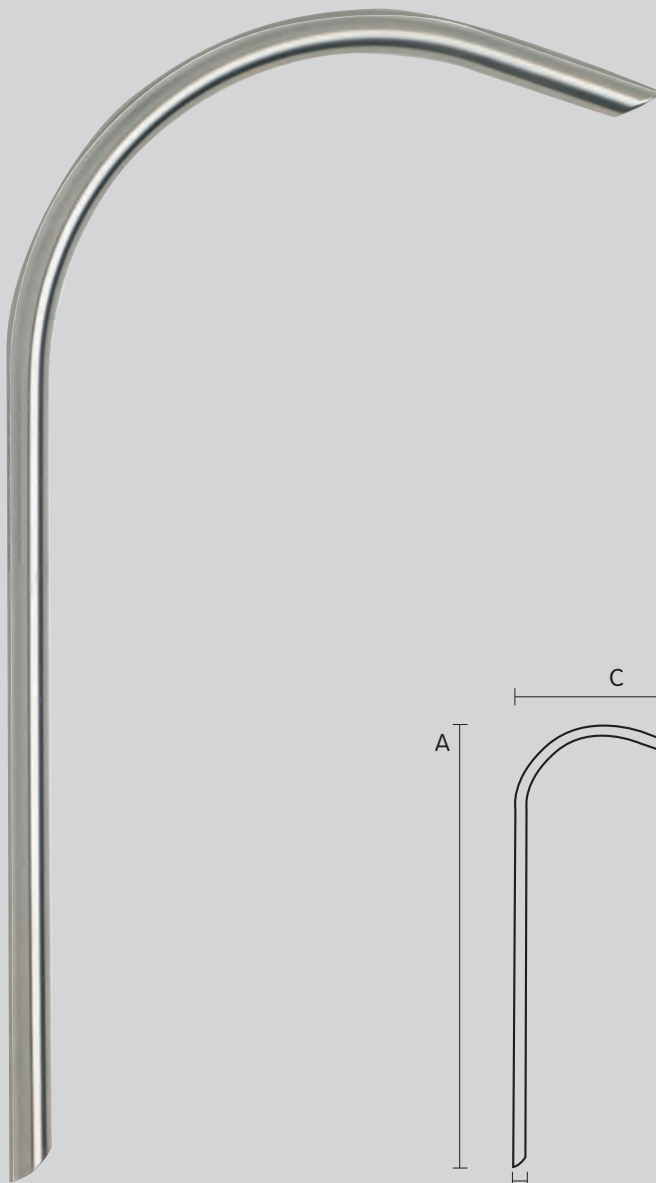
T: (02) 6680 1507

M: 0422 267 313

E: jason@byrongreenlights.com.au

Light This Light That LED 'Triffid Slim'

316 Marine Grade Stainless Steel
Extremely low voltage



Your **The Light This Light That** 316 'Marine Grade' Stainless Steel Path light is IP66 rated.

This light system contains non replaceable parts. Do not attempt to force open the light.

model	dimensions			light source	current
	length (A)	width (b)	reach (c)	#5mm led	mA (max)
LTPS1M	170mm	10mm	90m	1	20
LTPS1	500mm	10mm	170mm	1	20
LTPS2	1000mm	19mm	550mm	2	20
LTPS3	1000mm	25mm	550mm	3	20
Custom					

Note: 1 Amp = 1000 milliamps (mA).

Disclaimer: Consistant with our product developemnt policy, improvements may be made which render the contents of this document different to that shown. While every care has been taken with the details on this specification sheet, Light This Light That Pty Ltd accepts no responsibility for any inaccuracies and reserves the right to change the specifications without incurring obligation. Light This Light That Pty Ltd reserves the right to change specifications without notice.

Specifications:

Materials: Casing: 316 Marine Grade Stainless Steel (or solid copper)
Face: Pexiglas Satinice® 'Pearl finish'

Power Source: Low Voltage 12 V DC input (regulated)

Weatherproof Rating: IP 66

Pre wired: Rear entry 900mm (length) weatherproof cable (20 gauge)

Warranty: 2 years

Cabling: Light This Light That Weatherproof harness (18 gauge) with screw in plugs, or solder connection

LED type: State of art:  NICHIA :5mm

LED Colours: White. Other custom orders available

Size: 316 marine grade stainless steel or solid copper

Features:

- Australian Owned
- Australian Made
- Extremely Low Voltage
- 12 volt, not dangerous
- Up to 50,000 hours life
- Directional light efficiency
- Ambient light
- Solid state technology
- No fragile glass environment
- Non corrosive materials
- Ideal for coastal environments
- No Maintenance
- No globes to maintain
- No Ultraviolet radiation
- No Infrared radiation
- No UV to attract insects
- Cool to touch
- Cool to stand on
- Doesn't burn plants
- Doesn't breakdown materials
- No Mercury
- Easy installation, easy to move
- Portable
- Choice of sizes
- Can be used as wall or eave light
- Weatherproof IP 66
- 2 year replacement warranty

Australian Owned & Australian Made

 Light this Light that
led garden lights
consultants : installers : manufacturers

DISTRIBUTOR:

BYRON  GREEN LIGHTS

Jason Hutchinson

T: (02) 6680 1507

M: 0422 267 313

E: jason@byrongreenlights.com.au

Light This Light That Bollard

316 Marine Grade Stainless Steel or Solid Copper
Extremely low voltage



Model shown:
LTB6



Specifications:

Materials: Casing: 316 Marine Grade Stainless Steel (or solid copper)
Lense: Poly Carbon lense.
UV protected and shatterproof

Power Source: Low Voltage 12 V DC input (regulated)

Weatherproof Rating: IP 68

Pre wired: Rear entry 900mm (length) weatherproof cable (20 gauge)

Warranty: 2 years

Cabling: Light This Light That Weatherproof harness (18 gauge) with screw in plugs, or solder connection

LED type: State of art: :5mm

LED Colours: Warm White or Cool White

Features:

- Australian Owned
- Australian Made
- Extremely Low Voltage
- 12 volt, not dangerous
- Up to 50,000 hours life
- Directional light efficiency
- Ambient light
- Solid state technology
- No fragile glass environment
- Non corrosive materials
- Ideal for coastal environments
- No Maintenance
- No globes to maintain
- No Ultraviolet radiation
- No Infrared radiation
- No UV to attract insects
- Cool to touch
- Cool to stand on
- Doesn't burn plants
- Doesn't breakdown materials
- No Mercury
- Easy installation, easy to move
- Portable
- Choice of sizes
- Weatherproof IP 68
- 2 year replacement warranty

The Light This Light That 316 'Marine Grade' Stainless Steel and Solid Copper Bollards are available in three models. Your Light This Light That LED Bollard is IP68 rated, which means it can be installed outdoors, under water, in your pond or water feature.

This light system contains non replaceable parts. Do not attempt to force open the light.

model	dimensions		light source	current
	length (A)	depth (b)		
LTB6	910mm	32mm	#5mm led	40 mA (max)
LTB12	955mm	38mm	12	80
LTB30	1200mm	75mm	30	200

Note: 1 Amp = 1000 milliamps (mA).

Disclaimer: Consistant with our product developemnt policy, improvements may be made which render the contents of this document different to that shown. While every care has been taken with the details on this specification sheet, Light This Light That Pty Ltd accepts no responsibility for any inaccuracies and reserves the right to change the specifications without incurring obligation. Light This Light That Pty Ltd reserves the right to change specifications without notice.

Australian Owned & Australian Made

 Light this light that
led garden lights
consultants : installers : manufacturers

DISTRIBUTOR:

BYRON GREEN LIGHTS

Jason Hutchinson

T: (02) 6680 1507

M: 0422 267 313

E: jason@byrongreenlights.com.au