



BYRON GREEN LIGHTS

LED GARDEN & ARCHITECTURAL LIGHTING

TECHNICAL SPEC SHEETS 2010

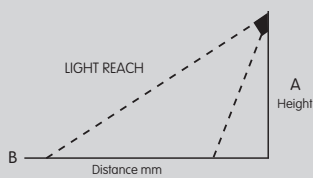
Recessed Wall & Step Lights

Light This Light That LED '35 Degree' Wall Lights

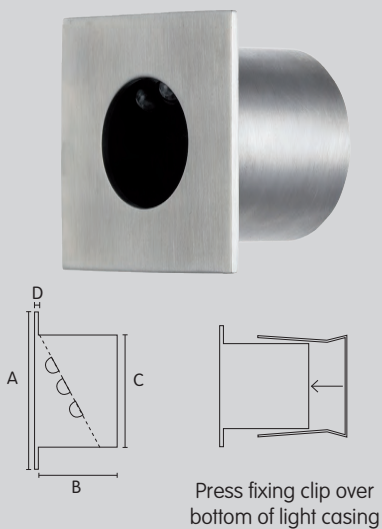
Square/Circle



Model shown:
LTW35-SS-9-L



Height mm	Reach mm
A	B
500	2000
750	4000



Specifications:


Materials: Casing: 316 Marine Grade Stainless Steel (or solid copper)
Flange: 316 Marine Grade Stainless steel (or solid copper)
Back: 316 Marine Grade Stainless steel (or solid copper)
Face: Pexiglas 'black finish'

Power Source: Low Voltage 12 V DC input (regulated)

Weatherproof Rating: IP 68
Pre wired: Rear entry 900mm (length) weatherproof cable (20 gauge)

Warranty: 2 years
Cabling: Light This Light That Weatherproof harness (18 gauge) with screw in plugs, or solder connection

Fixing clip: Easy to fix to villaboard, plaster walls or eaves, press and fit installation

LED type: State of art:  :5mm
LED Colours: Cool white or Warm white.
Other custom colours available.

Features:

- Australian Owned
- Australian Made
- Extremely Low Voltage
- 12 volt, not dangerous
- Up to 50,000 hours life
- Directional light efficiency
- Ambient light
- Solid state technology
- No fragile glass environment
- Non corrosive materials
- Ideal for coastal environments
- No Maintenance
- No globes to maintain
- No Ultraviolet radiation
- No Infrared radiation
- No UV to attract insects
- Cool to touch
- Cool to stand on
- Doesn't burn plants
- Doesn't breakdown materials
- No Mercury
- Easy installation, easy to move
- Portable
- Choice of sizes
- Can be used as wall or eave light
- Weatherproof IP 68
- 2 year replacement warranty

The **Light This Light That** 316 'Marine Grade' Stainless Steel '35 Degree' Wall lights are available in four sizes. Your Light This Light That LED Wall light is IP68 rated which means it can be installed outdoors.

This light system contains non replaceable parts. Do not attempt to force open the light.

model	dimensions				light source	current
	length (A)	depth (b)	width (c)	thickness (d)		
LTD3	50mm x 50mm	40mm	38mm	1.5mm	3	20
LTD6	50mm x 50mm	40mm	38mm	1.5mm	6	40
LTD12	70mm x 70mm	40mm	50mm	1.5mm	6	80
LTD12	70mm x 70mm	40mm	50mm	1.5mm	9	80

Note: 1 Amp = 1000 milliamps (mA).

Disclaimer: Consistent with our product developemnt policy, improvements may be made which render the contents of this document different to that shown. While every care has been taken with the details on this specification sheet, Light This Light That Pty Ltd accepts no responsibility for any inaccuracies and reserves the right to change the specifications without incurring obligation. Light This Light That Pty Ltd reserves the right to change specifications without notice.

Australian Owned & Australian Made

 **Light this light that**
led garden lights
consultants : installers : manufacturers

DISTRIBUTOR:

BYRON  GREEN LIGHTS

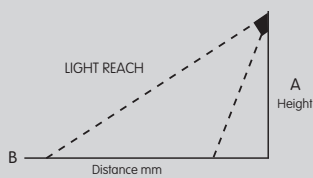
Jason Hutchinson
T: (02) 6680 1507
M: 0422 267 313
E: jason@byrongreenlights.com.au

Light This Light That LED '35 Degree' Wall Lights

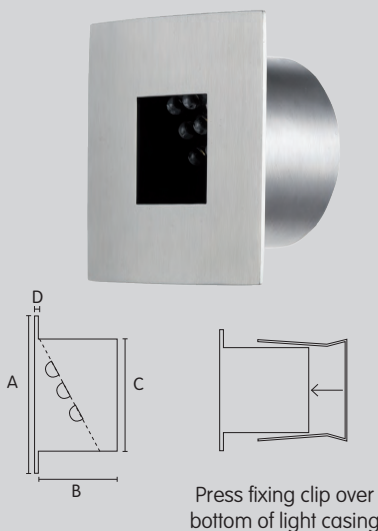
Square/Square



Model shown:
LTW35-SS-9-L



Height mm	Reach mm
A	B
500	2000
750	4000



Specifications:


Materials: Casing: 316 Marine Grade Stainless Steel (or solid copper)
Flange: 316 Marine Grade Stainless steel (or solid copper)
Back: 316 Marine Grade Stainless steel (or solid copper)
Face: Pexiglas' black finish'

Power Source: Low Voltage 12 V DC input (regulated)

Weatherproof Rating: IP 68
Pre wired: Rear entry 900mm (length) weatherproof cable (20 gauge)

Warranty: 2 years
Cabling: Light This Light That Weatherproof harness (18 gauge) with screw in plugs, or solder connection

Fixing clip: Easy to fix to villaboard, plaster walls or eaves, press and fit installation

LED type: State of art:  :5mm
LED Colours: Cool white or Warm white. Other custom colours available.

Features:

- Australian Owned
- Australian Made
- Extremely Low Voltage
- 12 volt, not dangerous
- Up to 50,000 hours life
- Directional light efficiency
- Ambient light
- Solid state technology
- No fragile glass environment
- Non corrosive materials
- Ideal for coastal environments
- No Maintenance
- No globes to maintain
- No Ultraviolet radiation
- No Infrared radiation
- No UV to attract insects
- Cool to touch
- Cool to stand on
- Doesn't burn plants
- Doesn't breakdown materials
- No Mercury
- Easy installation, easy to move
- Portable
- Choice of sizes
- Can be used as wall or eave light
- Weatherproof IP 68
- 2 year replacement warranty

The **Light This Light That** 316 'Marine Grade' Stainless Steel '35 Degree' Wall lights are available in four sizes. Your Light This Light That LED Wall light is IP68 rated which means it can be installed outdoors.

This light system contains non replaceable parts. Do not attempt to force open the light.

model	dimensions				light source	current
	length (A)	depth (b)	width (c)	thickness (d)		
LTD3	50mm x 50mm	40mm	38mm	1.5mm	3	20
LTD6	50mm x 50mm	40mm	38mm	1.5mm	6	40
LTD12	70mm x 70mm	40mm	50mm	1.5mm	6	40
LTD12	70mm x 70mm	40mm	50mm	1.5mm	9	60

Note: 1 Amp = 1000 milliamps (mA).

Disclaimer: Consistent with our product developemnt policy, improvements may be made which render the contents of this document different to that shown. While every care has been taken with the details on this specification sheet, Light This Light That Pty Ltd accepts no responsibility for any inaccuracies and reserves the right to change the specifications without incurring obligation. Light This Light That Pty Ltd reserves the right to change specifications without notice.

Australian Owned & Australian Made

 **led garden lights**
consultants : installers : manufacturers

DISTRIBUTOR:

BYRON GREEN LIGHTS

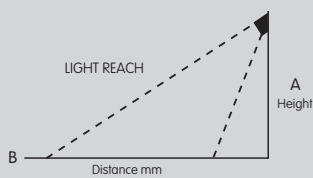
Jason Hutchinson
T: (02) 6680 1507
M: 0422 267 313
E: jason@byrongreenlights.com.au

Light This Light That LED '35 Degree' Wall Lights

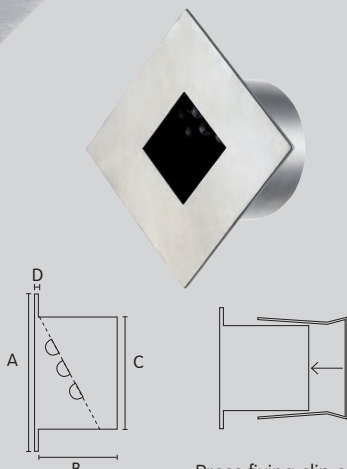
Diamond



Model shown:
LTW35-SS-9-L



Height mm	Reach mm
A	B
500	2000
750	4000



Press fixing clip over bottom of light casing

Specifications:

Materials: Casing: 316 Marine Grade Stainless Steel (or solid copper)
Flange: 316 Marine Grade Stainless steel (or solid copper)
Back: 316 Marine Grade Stainless steel (or solid copper)
Face: Pexiglas 'black finish'

Power Source: Low Voltage 12 V DC input (regulated)

Weatherproof Rating: IP 68

Pre wired: Rear entry 900mm (length) weatherproof cable (20 gauge)

Warranty: 2 years

Cabling: Light This Light That Weatherproof harness (18 gauge) with screw in plugs, or solder connection

Fixing clip: Easy to fix to villaboard, plaster walls or eaves, press and fit installation

LED type: State of art: :5mm
LED Colours: Cool white or Warm white.
Other custom colours available.

Features:

- Australian Owned
- Australian Made
- Extremely Low Voltage
- 12 volt, not dangerous
- Up to 50,000 hours life
- Directional light efficiency
- Ambient light
- Solid state technology
- No fragile glass environment
- Non corrosive materials
- Ideal for coastal environments
- No Maintenance
- No globes to maintain
- No Ultraviolet radiation
- No Infrared radiation
- No UV to attract insects
- Cool to touch
- Cool to stand on
- Doesn't burn plants
- Doesn't breakdown materials
- No Mercury
- Easy installation, easy to move
- Portable
- Choice of sizes
- Can be used as wall or eave light
- Weatherproof IP 68
- 2 year replacement warranty

The **Light This Light That** 316 'Marine Grade' Stainless Steel '35 Degree' Wall lights are available in four sizes. Your Light This Light That LED Wall light is IP68 rated which means it can be installed outdoors.

This light system contains non replaceable parts. Do not attempt to force open the light.

model	dimensions				light source	current
	length (A)	depth (b)	width (c)	thickness (d)		
LTD3	50mm x 50mm	40mm	38mm	1.5mm	#5mm led	20
LTD6	50mm x 50mm	40mm	38mm	1.5mm	#5mm led	40
LTD12	70mm x 70mm	40mm	50mm	1.5mm	#5mm led	40
LTD12	70mm x 70mm	40mm	50mm	1.5mm	#5mm led	60

Note: 1 Amp = 1000 milliamps (mA).

Disclaimer: Consistent with our product developemnt policy, improvements may be made which render the contents of this document different to that shown. While every care has been taken with the details on this specification sheet, Light This Light That Pty Ltd accepts no responsibility for any inaccuracies and reserves the right to change the specifications without incurring obligation. Light This Light That Pty Ltd reserves the right to change specifications without notice.

Australian Owned & Australian Made

led garden lights
consultants : installers : manufacturers

DISTRIBUTOR:

BYRON GREEN LIGHTS

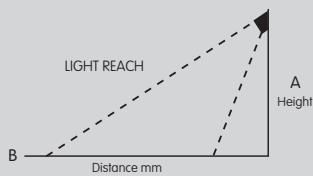
Jason Hutchinson
T: (02) 6680 1507
M: 0422 267 313
E: jason@byrongreenlights.com.au

Light This Light That LED '35 Degree' Wall Lights

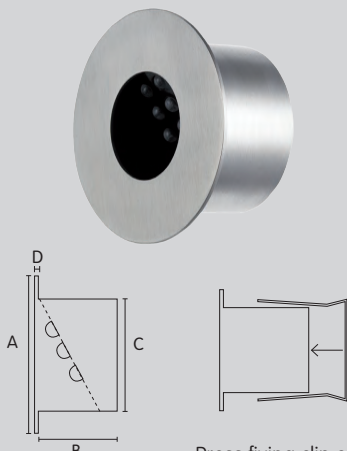
Circle/Circle



Model shown:
LTW35-SS-9-L



Height mm	Reach mm
A	B
500	2000
750	4000



Press fixing clip over
bottom of light casing

Specifications:

Materials: Casing: 316 Marine Grade Stainless Steel (or solid copper)
Flange: 316 Marine Grade Stainless steel (or solid copper)
Back: 316 Marine Grade Stainless steel (or solid copper)
Face: Pexiglas 'black finish'

Power Source: Low Voltage 12 V DC input (regulated)

Weatherproof Rating: IP 68
Pre wired: Rear entry 900mm (length) weatherproof cable (20 gauge)

Warranty: 2 years
Cabling: Light This Light That Weatherproof harness (18 gauge) with screw in plugs, or solder connection

Fixing clip: Easy to fix to villaboard, plaster walls or eaves, press and fit installation

LED type: State of art: :5mm
LED Colours: Cool white or Warm white. Other custom colours available.

Features:

- Australian Owned
- Australian Made
- Extremely Low Voltage
- 12 volt, not dangerous
- Up to 50,000 hours life
- Directional light efficiency
- Ambient light
- Solid state technology
- No fragile glass environment
- Non corrosive materials
- Ideal for coastal environments
- No Maintenance
- No globes to maintain
- No Ultraviolet radiation
- No Infrared radiation
- No UV to attract insects
- Cool to touch
- Cool to stand on
- Doesn't burn plants
- Doesn't breakdown materials
- No Mercury
- Easy installation, easy to move
- Portable
- Choice of sizes
- Can be used as wall or eave light
- Weatherproof IP 68
- 2 year replacement warranty

The **Light This Light That** 316 'Marine Grade' Stainless Steel '35 Degree' Wall lights are available in four sizes. Your Light This Light That LED Wall light is IP68 rated which means it can be installed outdoors.

This light system contains non replaceable parts. Do not attempt to force open the light.

model	dimensions				light source	current
	length (A)	depth (b)	width (c)	thickness (d)		
LTD3	50mm x 50mm	40mm	38mm	1.5mm	3	20
LTD6	50mm x 50mm	40mm	38mm	1.5mm	6	40
LTD12	70mm x 70mm	40mm	50mm	1.5mm	6	40
LTD12	70mm x 70mm	40mm	50mm	1.5mm	9	60

Note: 1 Amp = 1000 milliamps (mA).

Disclaimer: Consistent with our product developemnt policy, improvements may be made which render the contents of this document different to that shown. While every care has been taken with the details on this specification sheet, Light This Light That Pty Ltd accepts no responsibility for any inaccuracies and reserves the right to change the specifications without incurring obligation. Light This Light That Pty Ltd reserves the right to change specifications without notice.

Australian Owned & Australian Made

led garden lights
consultants : installers : manufacturers

DISTRIBUTOR:

BYRON GREEN LIGHTS

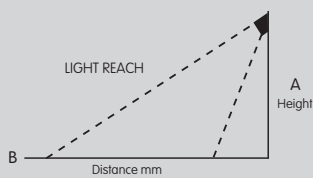
Jason Hutchinson
T: (02) 6680 1507
M: 0422 267 313
E: jason@byrongreenlights.com.au

Light This Light That LED '35 Degree' Wall Lights

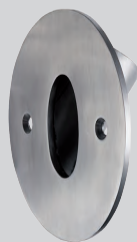
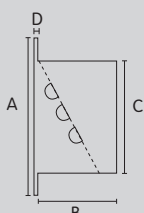
Step light




Model shown:
LTW35-SS-9-L



Height mm	Reach mm
A	B
500	2000
750	4000



Specifications:

- Materials: Casing: 316 Marine Grade Stainless Steel (or solid copper)
Flange: 316 Marine Grade Stainless steel (or solid copper)
Back: 316 Marine Grade Stainless steel (or solid copper)
Face: Pexiglas Satinice® 'Pearl finish'
- Power Source: Low Voltage 12 V DC input (regulated)
- Weatherproof Rating: IP 68
- Pre wired: Rear entry 900mm (length) weatherproof cable (20 gauge)
- Warranty: 2 years
- Cablings: Light This Light That Weatherproof harness (18 gauge) with screw in plugs, or solder connection
- Fixing clip: Easy to fix to villaboard, plaster walls or eaves, press and fit installation
- LED type: State of art:  :5mm
- LED Colours: Cool white or Warm white.
Other custom colours available.

Features:

- Australian Owned
- Australian Made
- Extremely Low Voltage
- 12 volt, not dangerous
- Up to 50,000 hours life
- Directional light efficiency
- Ambient light
- Solid state technology
- No fragile glass environment
- Non corrosive materials
- Ideal for coastal environments
- No Maintenance
- No globes to maintain
- No Ultraviolet radiation
- No Infrared radiation
- No UV to attract insects
- Cool to touch
- Cool to stand on
- Doesn't burn plants
- Doesn't breakdown materials
- No Mercury
- Easy installation, easy to move
- Portable
- Choice of sizes
- Can be used as wall or eave light
- Weatherproof IP 68
- 2 year replacement warranty

Australian Owned & Australian Made

The **Light This Light That** 316 'Marine Grade' Stainless Steel '35 Degree' Wall lights are available in two sizes. Your Light This Light That LED Wall light is IP68 rated which means it can be installed outdoors.

This light system contains non replaceable parts. Do not attempt to force open the light.

model	dimensions				light source	current
	length (A)	depth (b)	width (c)	thickness (d)		
LTWSL3	100mm x 100mm	40mm	40mm	1.5mm	#5mm led	3 mA (max)
LTWSL6	100mm x 100mm	40mm	40mm	1.5mm	#5mm led	6 mA (max)

Note: 1 Amp = 1000 milliamps (mA).

Disclaimer: Consistent with our product developemnt policy, improvements may be made which render the contents of this document different to that shown. While every care has been taken with the details on this specification sheet, Light This Light That Pty Ltd accepts no responsibility for any inaccuracies and reserves the right to change the specifications without incurring obligation. Light This Light That Pty Ltd reserves the right to change specifications without notice.

 **led garden lights**
consultants : installers : manufacturers

DISTRIBUTOR:

BYRON  GREEN LIGHTS

Jason Hutchinson

T: (02) 6680 1507

M: 0422 267 313

E: jason@byrongreenlights.com.au